

eCARGO-JET TILT REVOLUTION
CUSTOM MADE CONCEPTS

MARAVELO



eCARGO-JET URBAN PARCEL

MATERIAL: PP Plactic + Alloy hinges

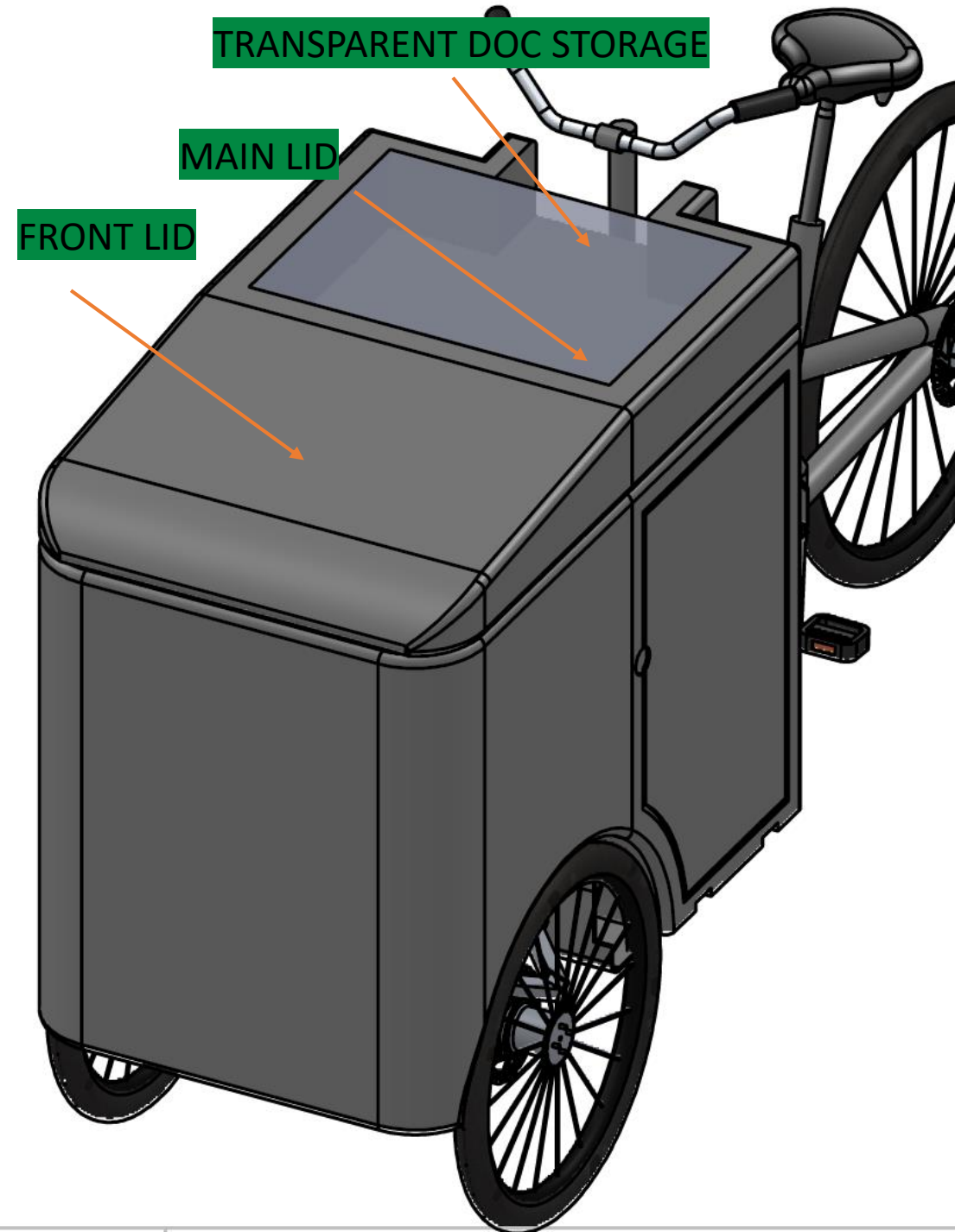
Koncept. TWIN Box concept

Swop: Main box exchangeable / removable on gliders

Dim: L 1245 x H985 x B750

Theoretic Volume: 0,9 M3 / est Net vol.: 0,65 M3

Box weight: Est 25 kg.



FRONT BOX 2

1245

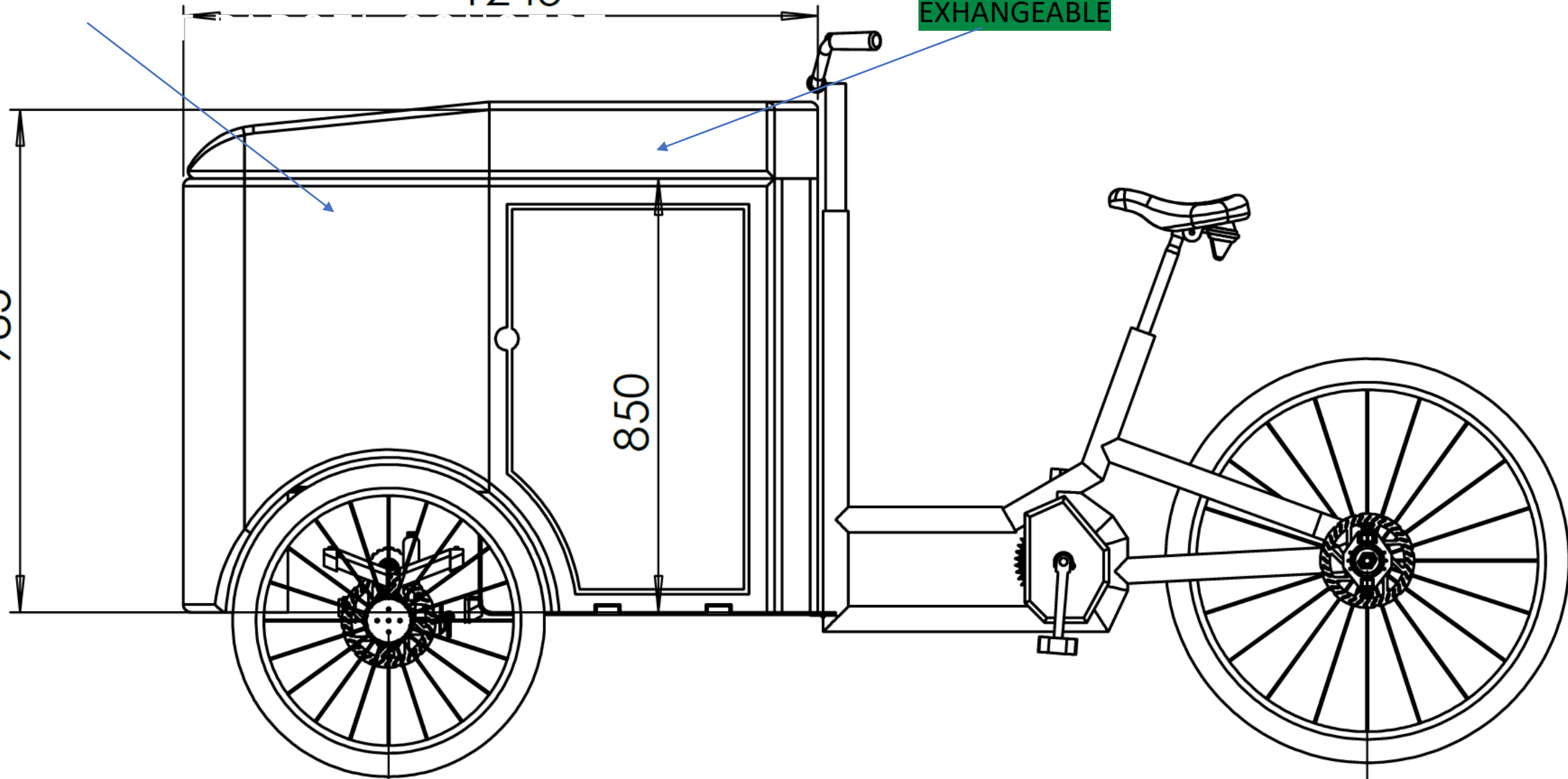
MAIN BOX SWOP
EXCHANGEABLE

MARAVELO

985

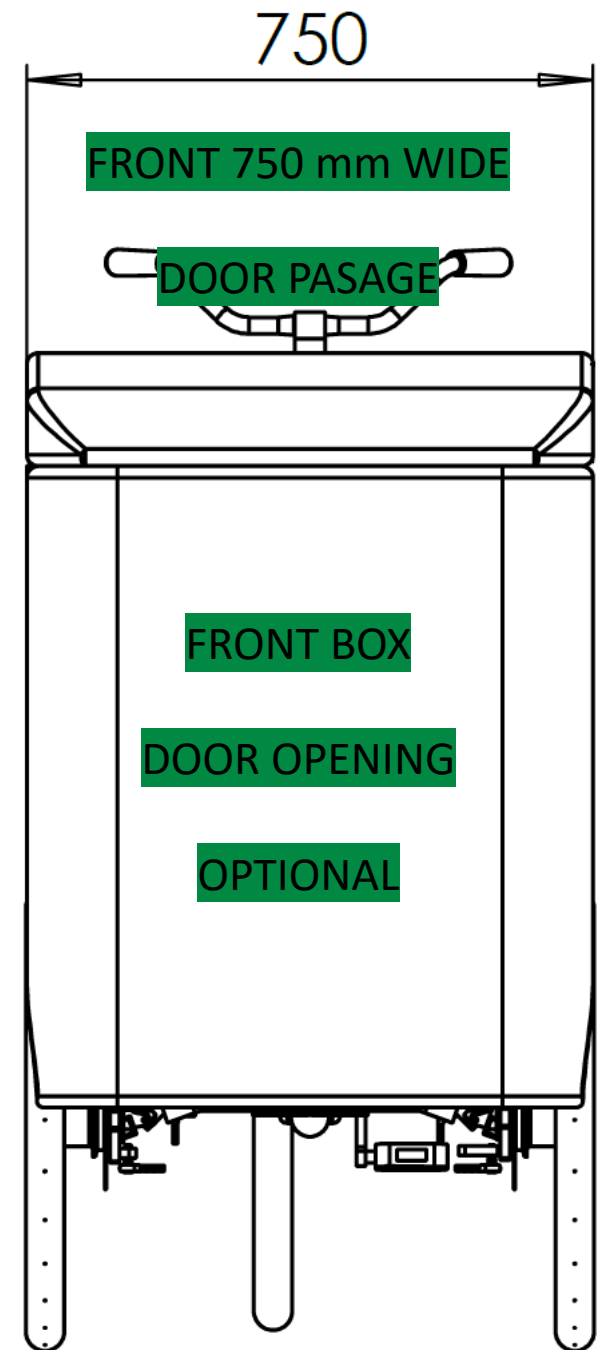
850

1920

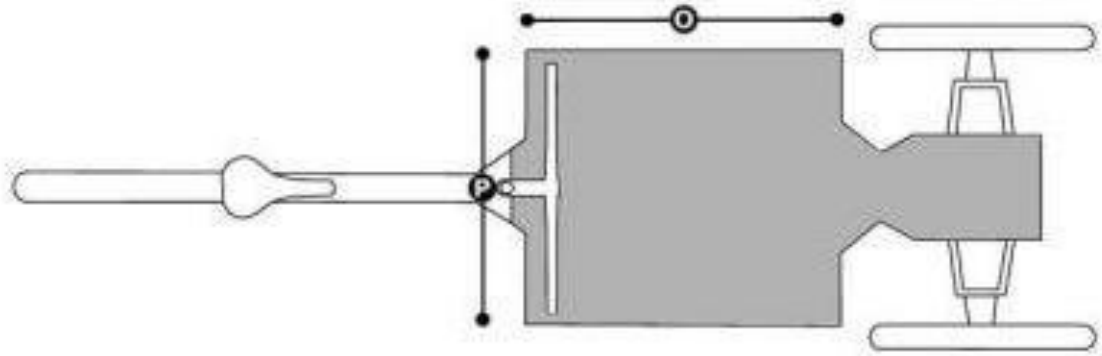
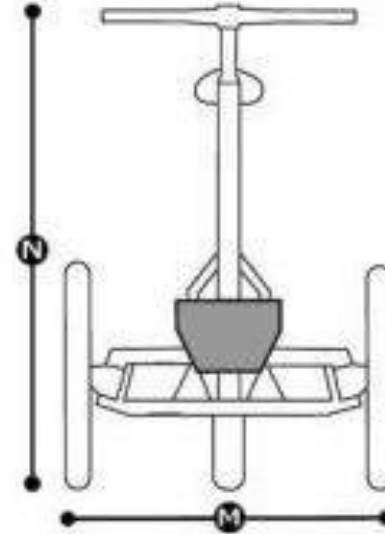
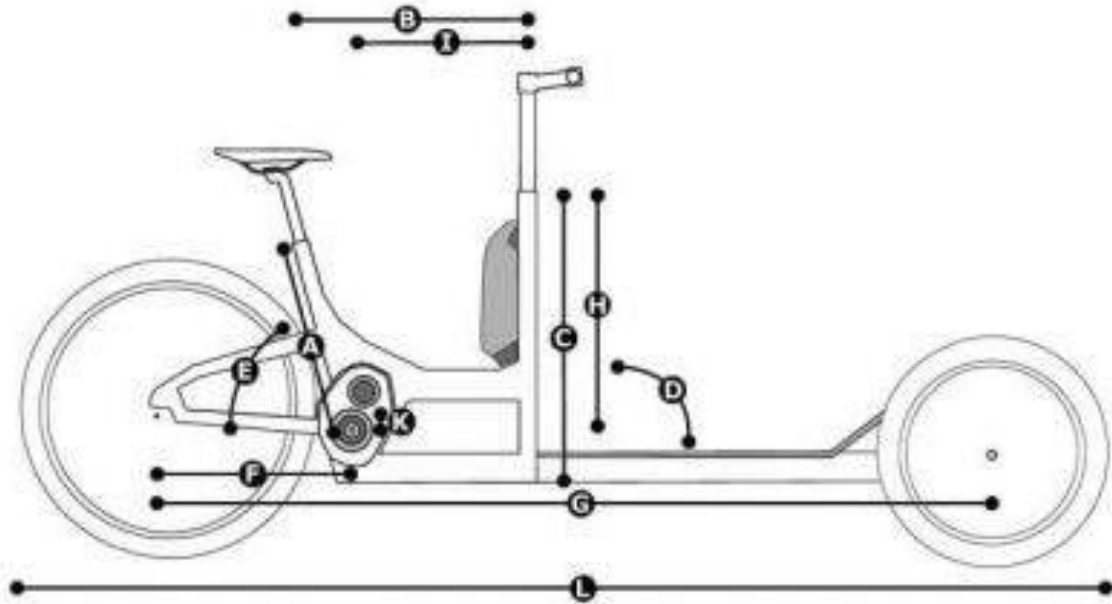


CARGO-JET PARCEL CONCEPT

FRONT VIEW



eCARGO by MARAVELO



size	M	L
A seat tube length	470 mm	470 mm
B top tube length	580 mm	580 mm
C head tube length	800 mm	800 mm
D head tube angle	90°	90°
E seat tube angle	73°	73°
F chain stay length	470 mm	470 mm
G wheel base	1680 mm	1920 mm
H stack	630 mm	630 mm
I reach	420 mm	420 mm
K BB drop	- 36 mm	- 36 mm
L overall lenght	2295 mm	2535 mm
M overall width	780 mm	780 mm
N overall lenght	1140 mm	1140 mm
O cargo bay	440 mm	680 mm
P cargo bay	650 mm	650 mm

RIDE&SMILE DIRECT LEASING by MARAVELO ONE STOP SERVICE – AT FIXED COSTS

- Full coverage with mobility-guarantee
- Insured – new bike in 48 hrs.
- Pit service-concept
- Onsite delivery
- Onsite service & support
- 24 month fleet rotation



MARAVELO HYBRID BICYCLE CLUB
IT IS OUR BUSINESS TO MOBILIZE YOURS

Sant'Agata Bolognese
Italia

MARAVELO
HYBRID BICYCLE CLUB



1

Kim Rødkjær | Speed Manager
+45 60946095 | +49 176 2130 2401
kim@maravelo.eu | www.maravelo.eu | www.maravelo.dk